

LPG GAS CYLINDER VALVES



www.alcovalves.com.pk

Industrial Gas Cylinder Valves

LPG Gas Cylinder Valves

CNG Gas Cylinder Valves

CNG Gas Kit

Manufacturer & Exporter
of High Pressure Valves & Other Accessories



ALCO VALVES
ISO 9001:2008 CERTIFIED

COMPANY PROFILE

Latif & Brother with the trade name of ALCO is hi-tech quality conscious company. The company manufactures the high pressure gas valves and accessories in various size and shapes. We manufacture valves and accessories according to international standards. The full range of ALCO valves and accessories is a perfect choice for any industrial installation, gas field, refinery, LPG gas cylinders, industrial gases and medical gas cylinders. We ensure highest standard of safety. Our products provide excellent performance and long listing.

The company is ISO 9001: 2008 Certified by SGS Our LPG and Oxygen cylinder valves are tested and type approved by Intertek Testing Service (ITS) UK . LPG valves are tested from BAM Lab Germany according to EN standards and directive 99/36/EC approved for PI Mark (1798) ISCIR CERT Romania.

ALCO design engineers use CAD, CAM and CATIA systems to generate NC code for CNC machines in production hall. We hire the highly qualified and experienced engineer staff/team. We control the whole manufacturing process from raw material to finished product according to international standards with the help of internal and external testing labs.

Technology is our hallmark. We are committed to produce quality and standardized products. Our aim is total satisfaction of our customers. We have wide range of customized products according to standards.

Mission

ALCO will provide the timely delivery of products whose performance and appearance are in accordance with our tradition of high manufacturing standards, even beyond geographical and organizational boundaries.

Vision

Our corporate vision is for our brand to be the number one brand in the valves manufacturing business, worldwide.



LPG VALVES

FOR LIQUEFIED PETROLEUM GAS



CYLINDER VALVE

FOR LIQUEFIED PETROLEUM GAS (LPG)

With Hand Wheel Type

STANDARD SPECIFICATION:

Item Code	Working Pressure	Safety Release Pressure	Inlet Thread Connection	Quick Coupling Connection Diameter
LP-01	250 PSI	375 PSI	3/4" NGT/28.8 DIN 477	20mm
LP-02	250 PSI	375 PSI	3/4" NGT/28.8 DIN 477	21mm
LP-03	250 PSI	375 PSI	3/4" NGT/28.8 DIN 477	22mm



LP 01, 02, 03

*Notes: On the customers request technical evaluation is possible to create new variations.
When ordering please specify Item Code, Inlet and Outlet size.*

CYLINDER VALVE

FOR LIQUEFIED PETROLEUM GAS (LPG)

Self Closing Valve With Pressure Relief Valve

STANDARD SPECIFICATION:

Item Code	Working Pressure	Inlet Thread Connection	Quick Coupling Connection Diameter
LP-04	250 PSI	3/4" NGT/28.8 DIN 477	20mm
LP-05	250 PSI	3/4" NGT/28.8 DIN 477	21mm
LP-06	250 PSI	3/4" NGT/28.8 DIN 477	22mm



LP 04, 05, 06

*Notes: On the customers request technical evaluation is possible to create new variations.
When ordering please specify Item Code, Inlet and Outlet size.*

CYLINDER VALVE

FOR LIQUEFIED PETROLEUM GAS (LPG)

Camping Cylinder Valve

STANDARD SPECIFICATION:

Item Code	Working Pressure	Safety Release Pressure	Inlet Thread Connection	Quick Coupling Connection Diameter
LP-11	250 PSI	375 PSI	17E/ W19.8 x 1/14 tap	G 5/8" BSP L.H



LP₁₁

*Notes: On the customers request technical evaluation is possible to create new variations.
When ordering please specify Item Code, Inlet and Outlet size.*

CYLINDER VALVE

FOR LIQUEFIED PETROLEUM GAS (LPG)

Pol Type With Hand Wheel

STANDARD SPECIFICATION:

Item Code	Working Pressure	Safety Release Pressure	Inlet Thread Connection	Quick Coupling Connection Diameter
LP-12	250 PSI	375 PSI	3/4" NGT/28.8 DIN 477	G 5/8" BSP L.H



LP₁₂

*Notes: On the customers request technical evaluation is possible to create new variations.
When ordering please specify Item Code, Inlet and Outlet size.*

CYLINDER VALVE

FOR LIQUEFIED PETROLEUM GAS (LPG)

With Hand Wheel Type

DESCRIPTION:

The cylinder valve for liquefied petroleum gas (LPG) consist of a valve body, an operating mechanism with a hand wheel and a rotating lower spindle, a system for external sealing (two o-ring at the lower spindle), a system for internal sealing (lower spindle), a side connector for filling and distributing and a threaded stub for connection to the cylinder. They are partly equipped with a pressure relief device.

The valves are intended for gas cylinders with a valve protection device and with a testing pressure up to 30 bar.

STANDARD SPECIFICATION:

- Inlet Size : 17E/ 25E
- Outlet : G12/ 21.8 X 1/14 Lh
- Pressure Relief Valve: 26 Bar
- Packing: Sealed Bag 50 Pcs On One Carton
- Testing According To En 13153:2003
- And En 13953:2007

OPTION:

- Inlet Size
- Outlet
- With Safety Or With Our Safety
- Out Let Cap



LP 08

*Notes: On the customers request technical evaluation is possible to create new variations.
When ordering please specify Item Code, Inlet and Outlet size.*

CYLINDER VALVE

FOR LIQUEFIED PETROLEUM GAS (LPG)

With Hand Wheel Type

DESCRIPTION:

The cylinder valve for liquefied petroleum gas (LPG) consist of a valve body, an operating mechanism with a hand wheel and a rotating lower spindle, a system for external sealing (two o-ring at the lower spindle), a system for internal sealing (lower spindle), a side connector for filling and distributing and a threaded stub for connection to the cylinder.

The valves are intended for gas cylinders with a valve protection device and with a testing pressure up to 30 bar.

STANDARD SPECIFICATION:

- Inlet Size : 17E/ 25E
- Outlet : G12/ 21.8 X 1/14 Lh
- Packing: Sealed Bag 50 Pcs On One Carton
- Testing According To En 13153:2003
- And En 13953:2007

OPTION:

- Inlet Size
- Outlet
- With Safety Or With Our Safety
- Out Let Cap



LP 08

*Notes: On the customers request technical evaluation is possible to create new variations.
When ordering please specify Item Code, Inlet and Outlet size.*

CYLINDER VALVE

FOR LIQUEFIED PETROLEUM GAS (LPG)

With Hand Wheel Type

DESCRIPTION:

The cylinder valve for liquefied petroleum gas (LPG) consist of a valve body, an operating mechanism with a hand wheel and a rotating lower spindle, a system for external sealing (two o-ring at the lower spindle), a system for internal sealing (lower spindle), a side connector for filling and distributing and a threaded stub for connection to the cylinder.

The valves are intended for gas cylinders with a valve protection device and with a testing pressure up to 30 bar.

STANDARD SPECIFICATION:

- Inlet Size : 17E/ 25E
- Outlet : G12/ 21.8 X 1/14 Lh
- Packing: Sealed Bag 50 Pcs On One Carton
- Testing According To En 13153:2003
- And En 13953:2007

OPTION:

- Inlet Size
- Outlet
- With Safety Or With Our Safety
- Out Let Cap



LP₀₉

*Notes: On the customers request technical evaluation is possible to create new variations.
When ordering please specify Item Code, Inlet and Outlet size.*

LPG MULTI VALVE

With Excess Flow Valve

PRODUCT FEATURES:

- Inlet size: 3/4" NGT.
- Outlet size: BS 341 No-4 G 5/8" L.H. & 22mm
- Hand wheel dia: 65mm.

DESIGN SPECIFICATION:

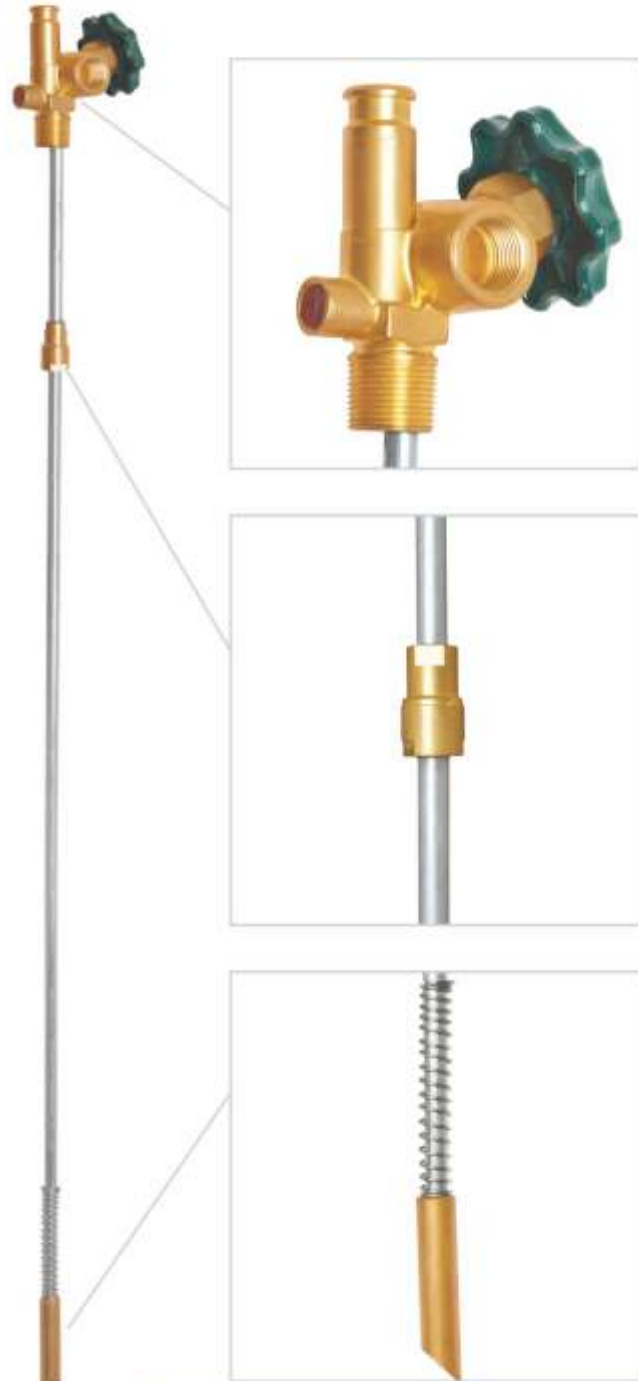
- Working Pressure: 150Psi
- Filling Rate : 21kg/min Approximate
- Test Pressure: 375Psi
- Pressure Relief Valve: 375Psi
- Body Leak Test Pressure: 125Psi

OPTION:

- Valve Tightening Torque: 100-120Nm
- Spanner Size: 25mm

ORDERING:

- When ordering please specify:
- Gas type
- Serial number
- Inlet and outlet connections specification
- Working Pressure



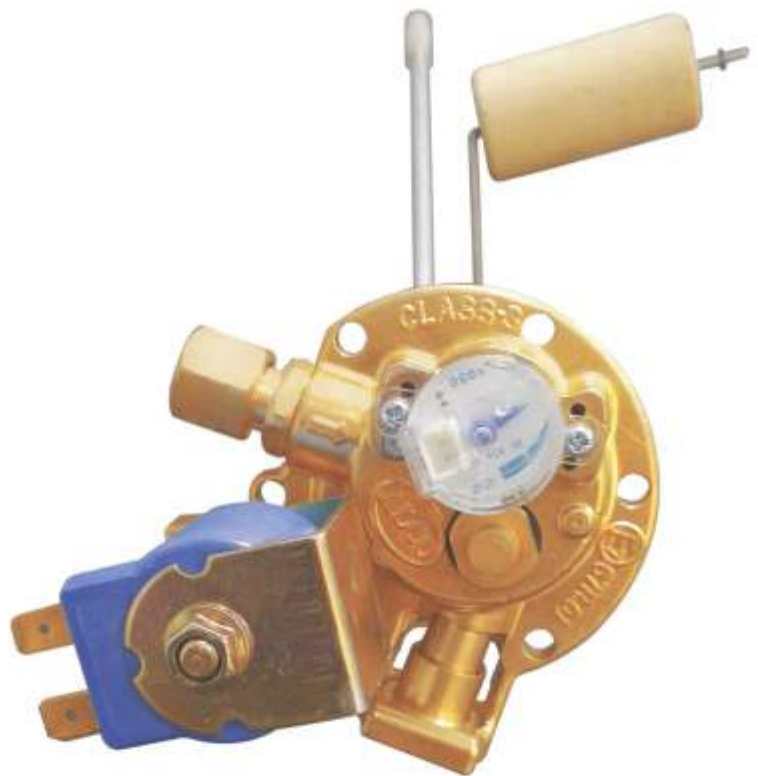
LP₁₃

LPG MULTI VALVE

FOR AUTO GAS
With Hand Wheel Type

TECHNICAL DESCRIPTION

- Nonreturn valve.
- 80 percent stop valve.
- Level indicator.
- Pressure Relief Valve (safety valve).
- Pressure Relief Device (thermo fuse).
- Excess flow Valve.
- Manual Valve.
- Shut-off solenoid Valve.



LP 08

Notes: Available with different thread connection sizes.

LATIF & BROTHER

Plot No. 145-146-C, Small Industrial Estate No. 2,
Gujranwala-Pakistan.

Tel: +92-55-4283805,4283898

Fax: +92-55-4283806,

E-mail: info@alcovalves.com.pk

Web: www.alcovalves.com.pk

